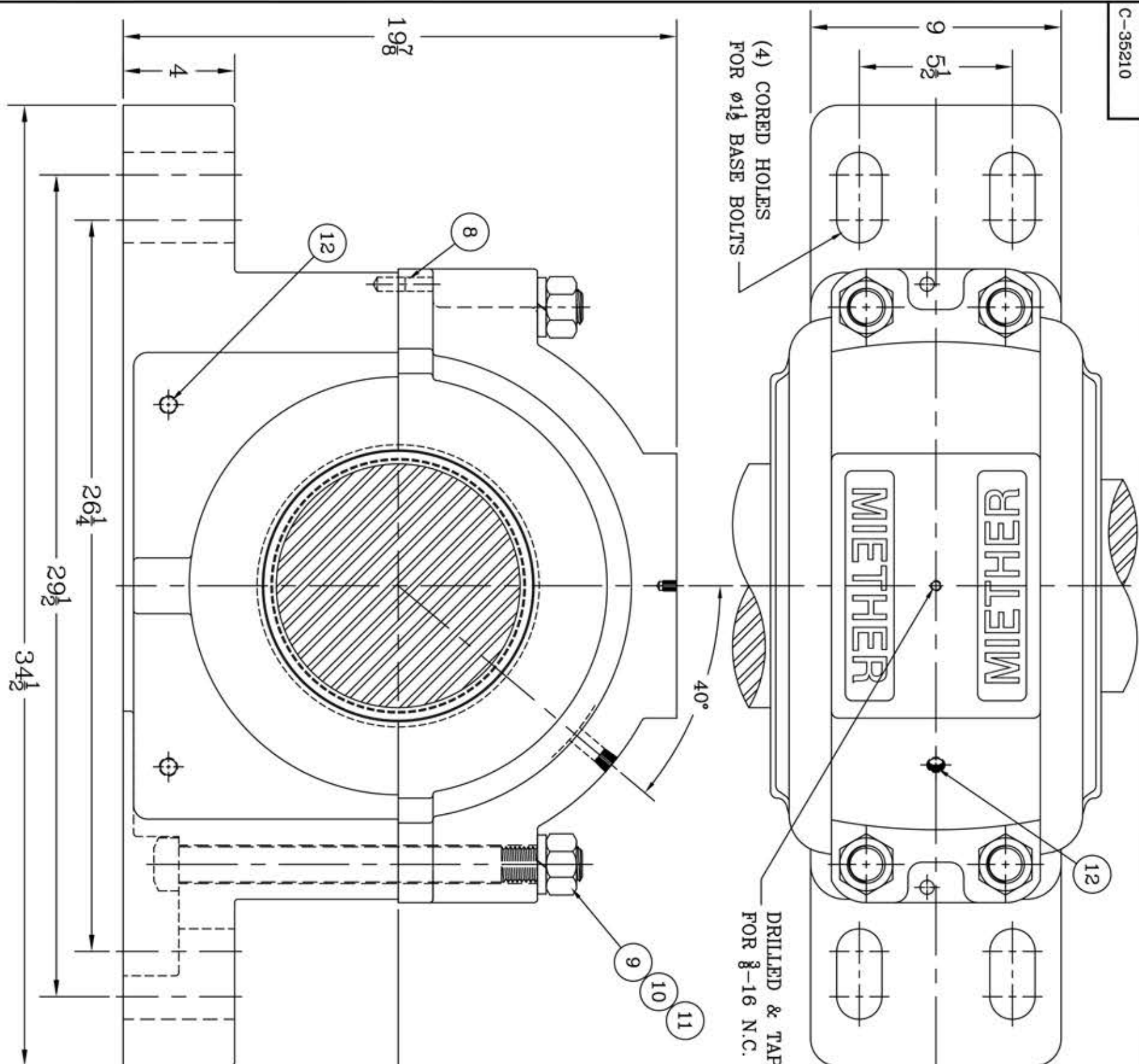
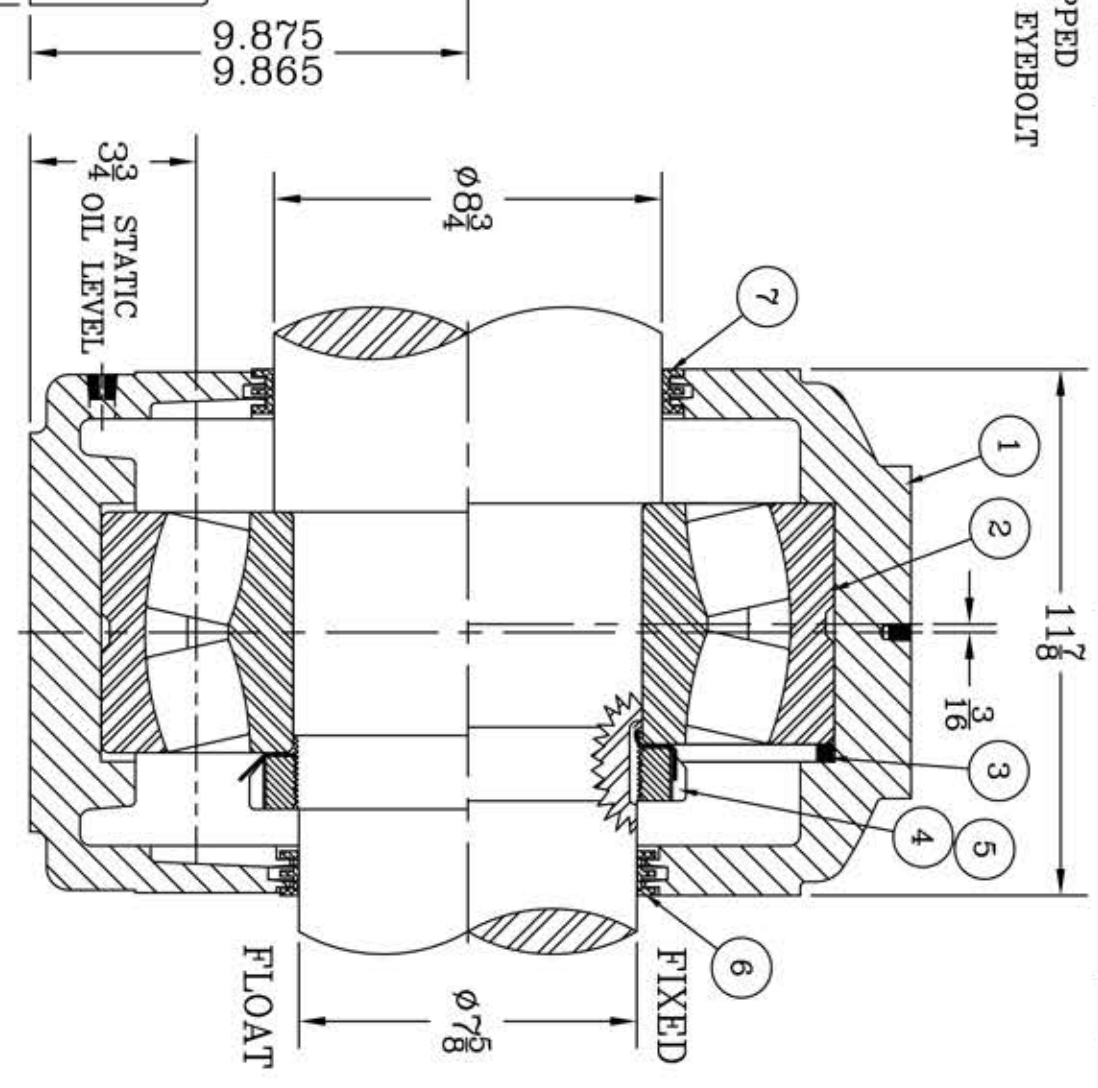


This drawing is the sole property of Miether Bearing Products and contains confidential and proprietary information. It is being provided to you for your use and may not be disclosed to any third party or used for any other purpose without Miether's prior written consent. The [materials] must be returned to the Company upon its demand. Your acceptance of these materials constitutes your acceptance of the foregoing terms.



ITEM	DESCRIPTION	DETAIL	REQUIRED
			FED. FLT.
1	HOUSING SAFD 340	C-	1
2	SPHERICAL ROLLER BEARING	22340/W-33	1
3	STABILIZING RING SR-0-40	A-10463	1
4	LOCKNUT AN-40	B-10424	1
5	LOCKWASHER W-40	00254	1
6	TRIPLE SEAL RING LER-164	A-10674	1
7	TRIPLE SEAL RING LER-175	A-10677	1
8	DOWEL	Ø 3/8 x 1" LONG	2
9	CAP BOLT SQUARE HEAD GR.5	1 1/2-7 NC x 14 1/2 LONG	4
10	CAP BOLT HEX. NUT	1 1/2-7 NC	4
11	LOCKWASHER	1 1/2 SPLIT MED.	4
12	PIPE PLUG	3/8-18 NPT	3



REVISIONS	
SYMBOL	DESCRIPTION
✓	A.I.S.I. STANDARD FINISHES

TOLERANCE: UNLESS OTHERWISE SPECIFIED  
 FRACTIONS ± 1/32" ANGLES ± 0°-30'  
 DECIMALS ± .005 WELD ± 1/16"  
 CASTING ± 1/16"

**AN ALCO INDUSTRIES COMPANY**  
 BEARING PRODUCTS  
 ODESSA, TX. USA

SAFD 22340 08-12 x 07-10  
 ASSEMBLY DRAWING  
 SCALE 1 = 3  
 DRAWN PCF  
 DATE 1/2/13  
 ASSEMBLY NO.  
 DRAWING NO.  
 C-35210